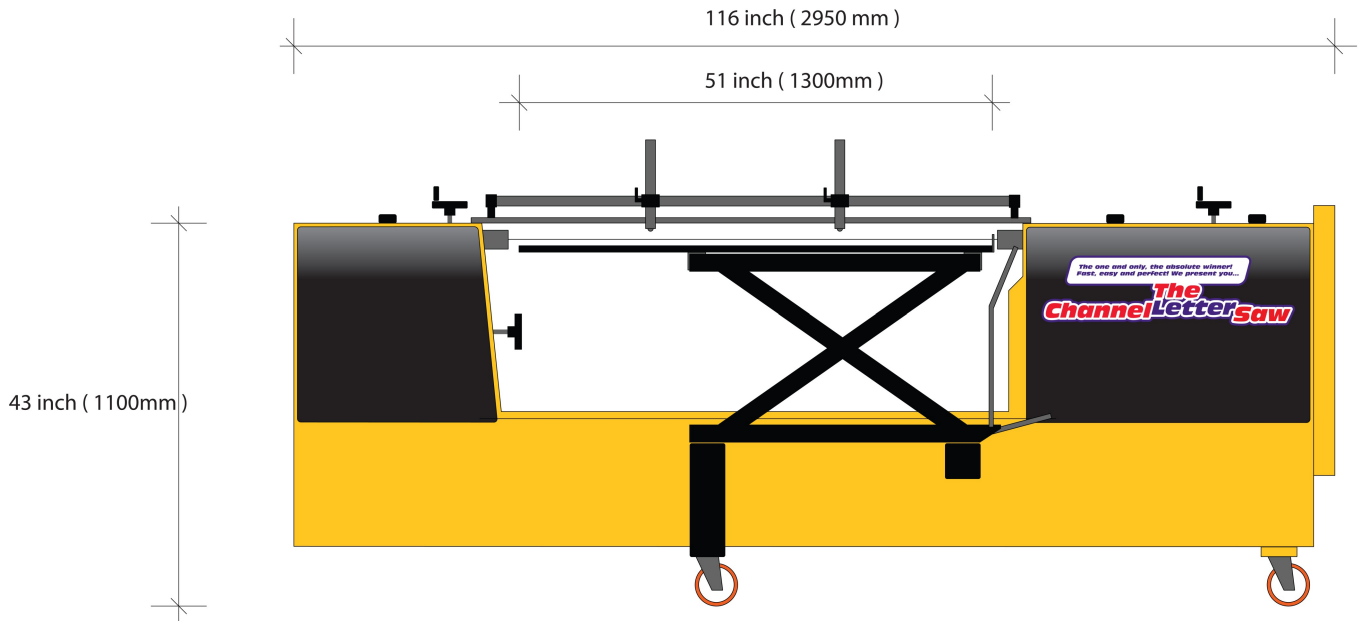


Channel Letter Saw 4 ft



Machine

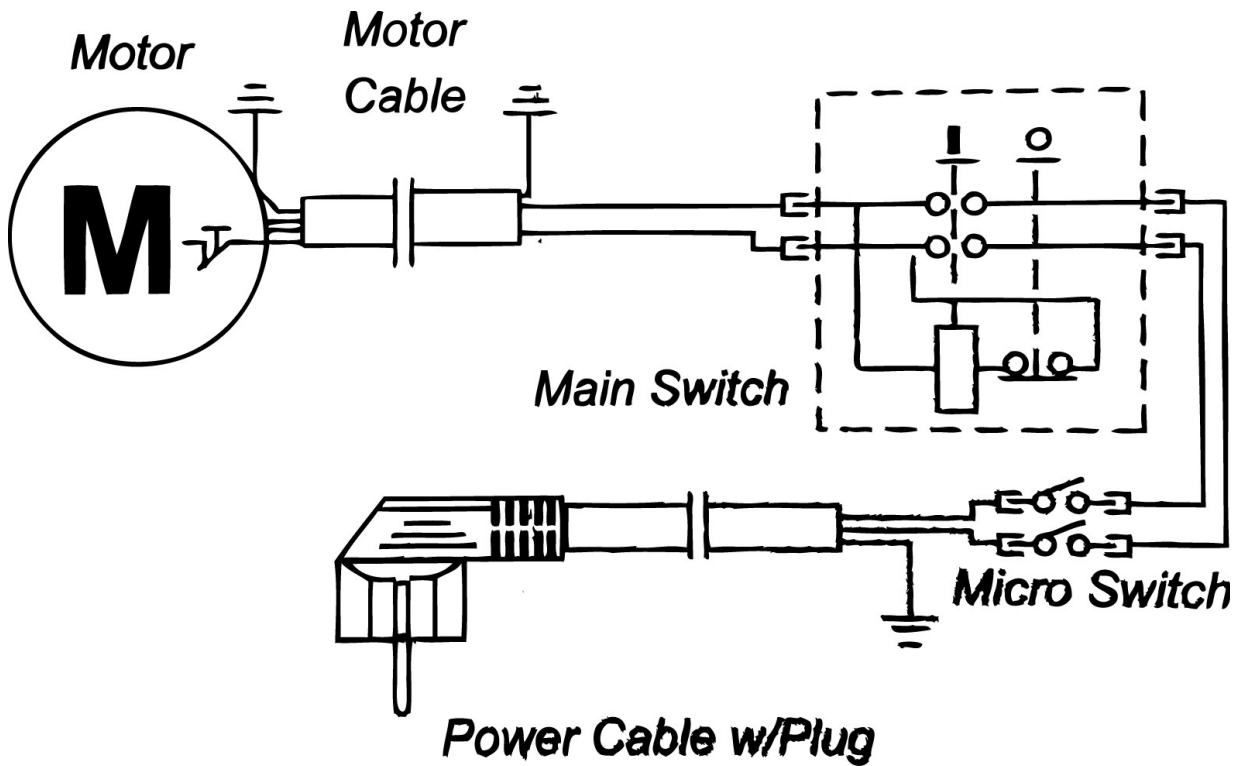
Material	Welded steel frame
Type of control	Manual

Machine size and weight

Shipping dimensions	120 inch x 47 inch x 43 inch (L x W x H) 3000 mm x 1200 mm x 1100 mm
Weight	771 lbs (350 kg)
Operating area	150 inch x 200inch (3800 mm x 5000 mm)
Diameter of saw wheels	18,5 inch (470 mm)

Electric.

1. Ground	All electrical connections must be grounded.
2. Number of phases	2 options: 3 phase / single phase
3. 120 VAC Locations	208 V single phase 10 A outlet.
4. 220 VAC Locations	380 V 3 phase 5 A outlet/ 220 V single phase 10 A outlet.
5. Power consumption	2250 VA



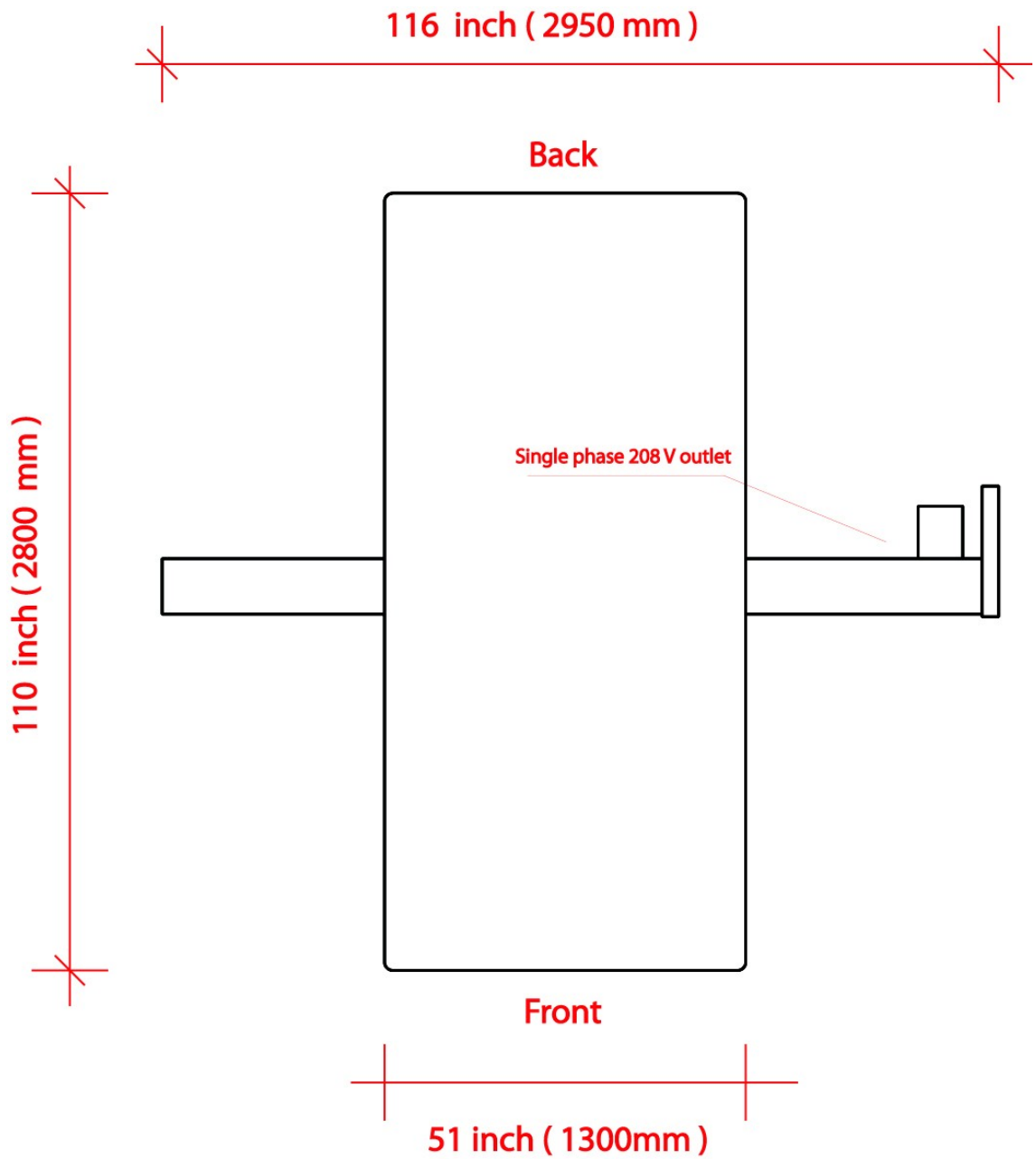
Saw

Type	20 x 0.8 mm , 18 TPI Wave
Length	222,05 inch (5640 mm)

Saw table

Dimensions	95 inch x 51 inch (2400 mm x 1300 mm)
Material	MDF black

Layout



Note: all demensions are approximate. For layout purpose only.