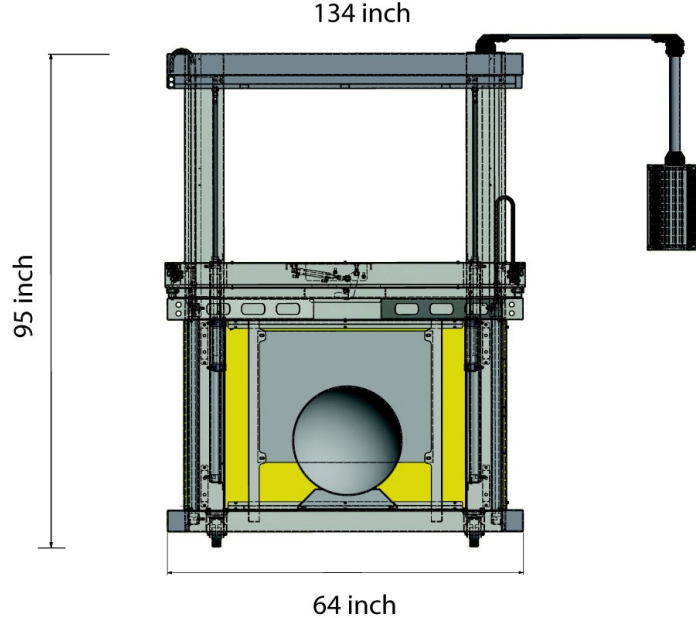
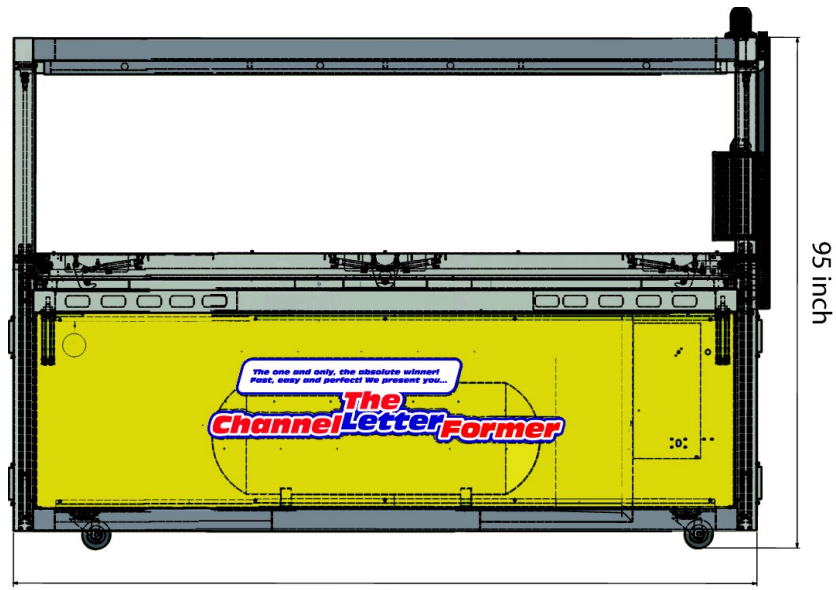


VACUUMFORMER USA 5 x 10 ft



Machine

| | |
|-----------------|--------------------|
| Material | Welded steel frame |
| Type of control | Manual |

Machine size and weight.

| | |
|---------------------|---|
| Shipping dimensions | 65 inch x 134 inch x 95 inch (L x W x H) (1650 mm x 3400 mm x 2400 mm) |
| weight | 2204 lbs (1000 kg) |
| Operating area | 177 inch x 142 inch (4500 mm x 3600 mm) |

Requirements

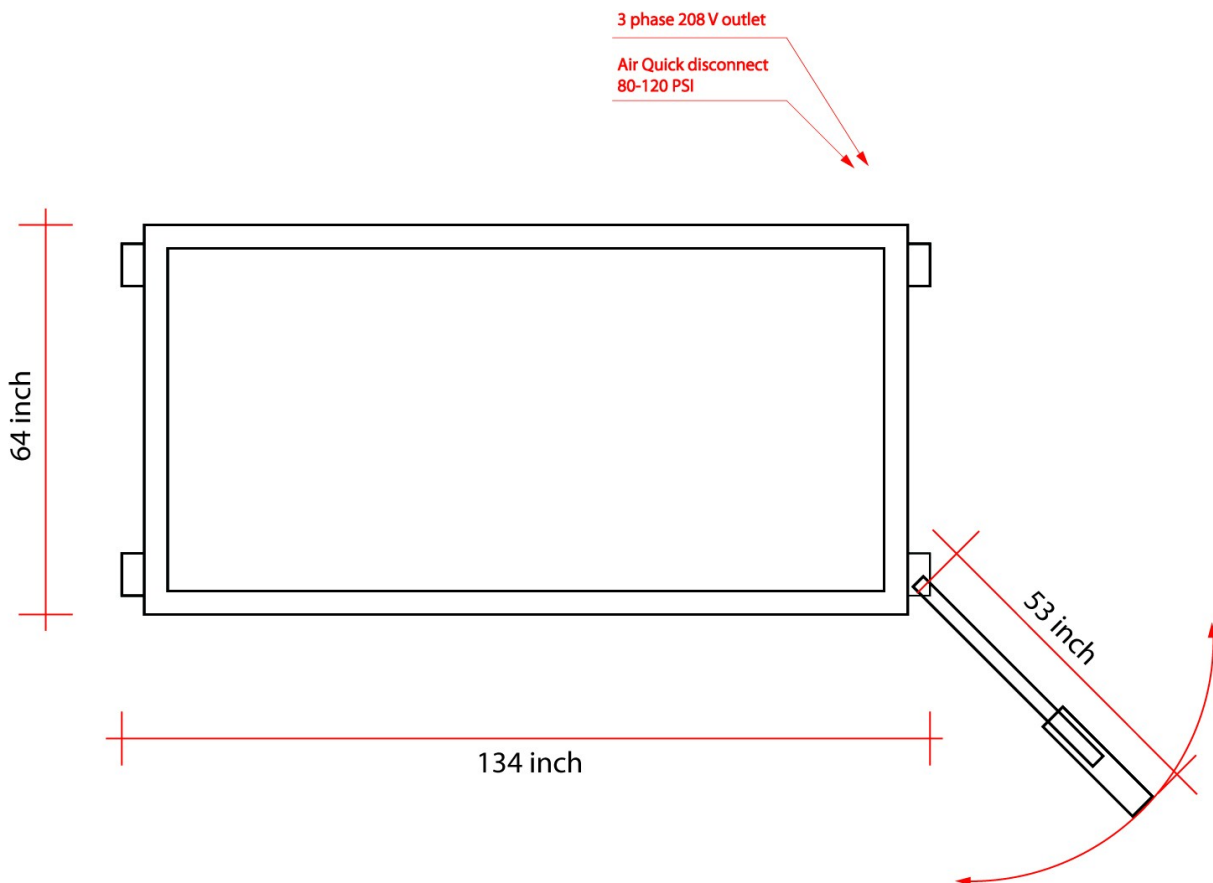
Air.

| | |
|--------------|---|
| 1. Air | Clean dry shop air. Free of water and oil. |
| 2. Pressure | 80 to 120 PSI (5.5 to 8.25 bar). |
| 3. Airflow | 1 CFM (0.02832 m ³ / min) |
| 4. Connector | ¼ inch (6mm) ID minimum air hose with a standard female quick disconnect fitting. |

Electric.

| | |
|----------------------|--|
| 1. Ground | All electrical connections must be grounded. |
| 2. Number of phases | 3 phase |
| 3. 120 VAC Locations | 208 V 3 phase 80 A outlet. |
| 4. 220 VAC Locations | 380 V 3 phase 63 A outlet. |
| 5. Power consumption | 27 kVA |

Layout



Note: All demensions are approximate. For layout purpose only

Specifications

Vacuum.

| | |
|---------------------|-----------------------|
| Used vacuum level | -14.5 PSI (-0.9 bar) |
| Content vacuum tank | 270 Liter |

Vacuum pump.

| | |
|----------|--------------------------------|
| Type | 12 PBO |
| Capacity | 7 CFM (12 m ³ / hr) |
| Vacuum | 0,145 PSI (10 mbar) |

Specification of material type to use.

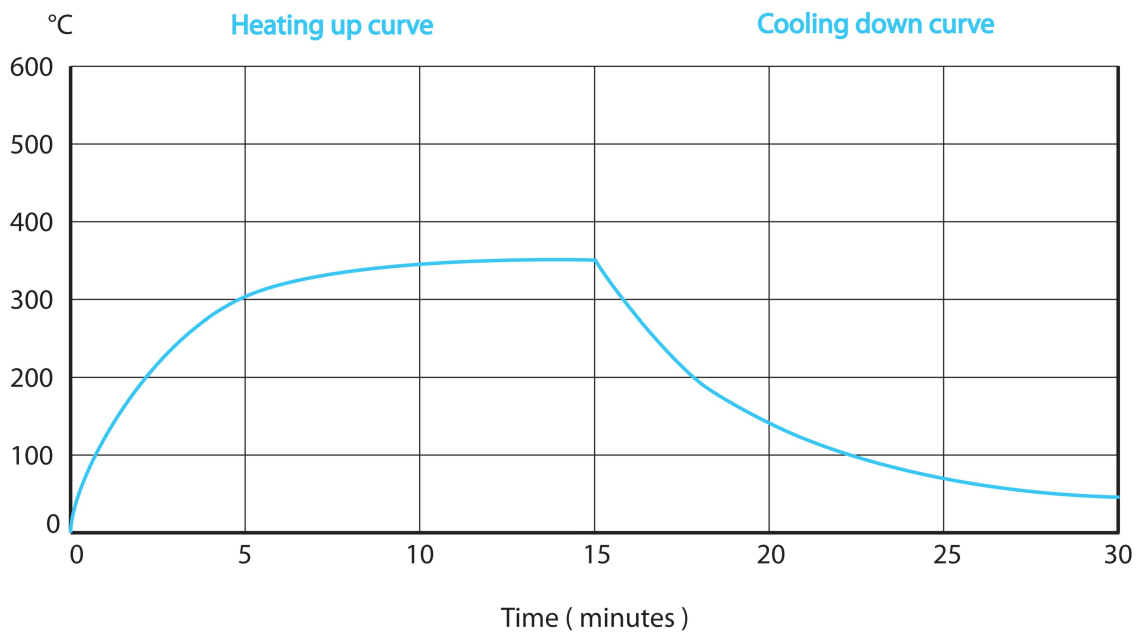
| | |
|-------------|--|
| 1. Material | PET-G, Polycarbonat, acrylic, PVC, ABS, etc, |
|-------------|--|

Dimensions of sheets.

| | |
|----------------------|-----------------------------|
| 1. Sheet size | 5 x 10 ft (1530 x 3050 mm) |
| 2. Minimum thickness | 0.078 inch (2 mm) |
| 3. Maximum thickness | 0.196 inch (5 mm) |

Heating elements.

| | |
|--------------------------|------------------------------------|
| Type of element | Ceramicx Full Trough Element |
| Power consumption | 250 W |
| Main surface temperature | 670 F (354 °C) |
| Size of element | 245 x 60 mm |
| Quantity of elements | 108 pcs |
| Lifetime element | 20,000 hrs depending on conditions |



Heating up and cooling down curve FTE element 250W